

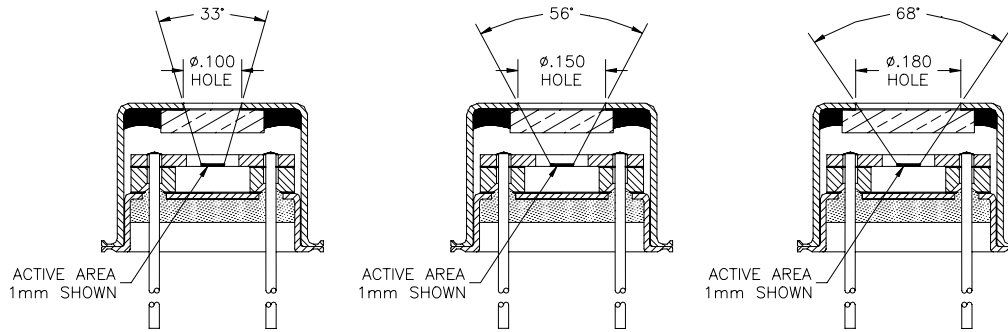


Package Hole Size and Aperture Options

Dexter Research offers a wide variety of package hole sizes and internal apertures which can be used to modify the Field of View (FOV) of single element detectors or minimize cross talk in multi-channel detectors.

Package Hole Size

Package hole size can be customized to modify detector Field of View (FOV) of TO-5 packages. Hole size also defines the amount of energy coming into the package and subsequently falling on the detector active area. Package (cover) hole sizes available (inches): .100", .125", .150", .180", .202" dia.



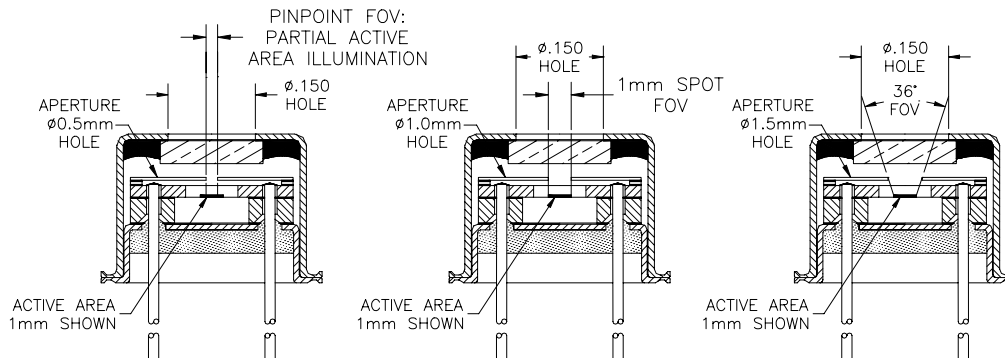
FOV effects of cover hole size on single element detector (model 1M used for example).

Internal Aperture

Internal apertures can be used to modify the FOV of our single element detectors in TO-5 packages.

Internal aperture sizes available (mm): .25mm, .5mm, .6mm, .75mm, 1.0mm, 1.5mm, 2mm dia.

Internal apertures for limiting cross talk in multi-element detectors are available for the following models: DR34, TM34, T34, DR46, 2M Quad, 10 channel. The aperture hole sizes are generally the same size as the detector active area.



FOV effects of internal aperture on single element detector (model 1M used for example).