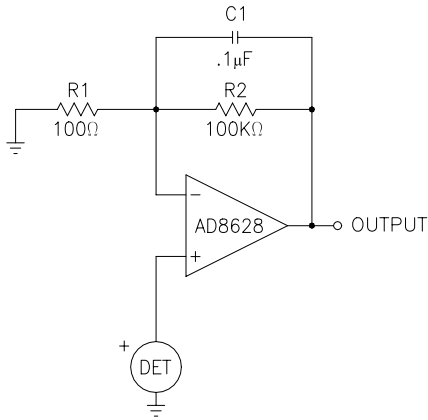


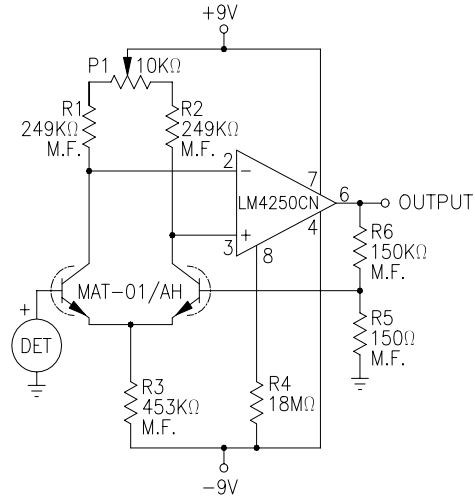
## Example Amplifier Circuits

### Common Amplifier



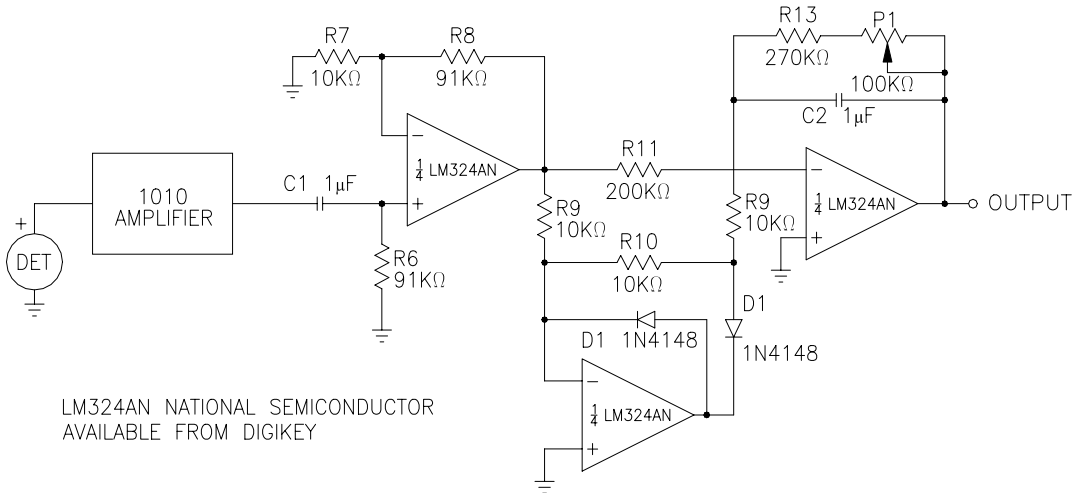
AMPLIFIER CIRCUIT WITH GAIN OF 1,000  
BANDWIDTH (-3db) DC TO 15.9Hz

### Micro Power Amplifier



MAT-01/AH ANALOG DEVICES AVAILABLE FROM NEWARK ELECTRONICS  
LM4250CN NATIONAL SEMICONDUCTOR AVAILABLE FROM DIGIKEY  
M.F. = METAL FILM RESISTOR

### Modulated Signal Rectifier For 10Hz (Full Wave)



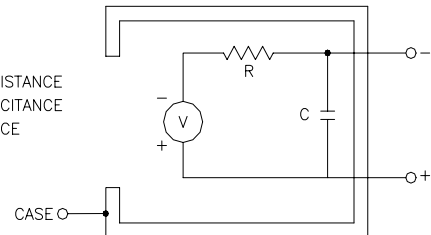
LM324AN NATIONAL SEMICONDUCTOR  
AVAILABLE FROM DIGIKEY

### Equivalent Circuit for Thermopile Detector

For an Example of a Low offset,  
Low Drift amplifier data sheet,  
see Cirrus Logic CS3011

[http://www.cirrus.com/en/pubs/proDatasheet/CS3011-12\\_F2.pdf](http://www.cirrus.com/en/pubs/proDatasheet/CS3011-12_F2.pdf)

R = DETECTOR RESISTANCE  
C = THERMAL CAPACITANCE  
V = VOLTAGE SOURCE



**Postal Mail:** 7300 Huron River Dr.  
Dexter, MI 48130 U.S.A

**Phone:** 734-426-3921  
**Fax:** 734-426-5090

**Email:** Sales@DexterResearch.com  
**Web:** www.DexterResearch.com